

GREEN SOLUTION | EXCELLENT ROI | FULLY AUTOMATIC | TRUSTED BY MARKET LEADERS

UGLY STRAP

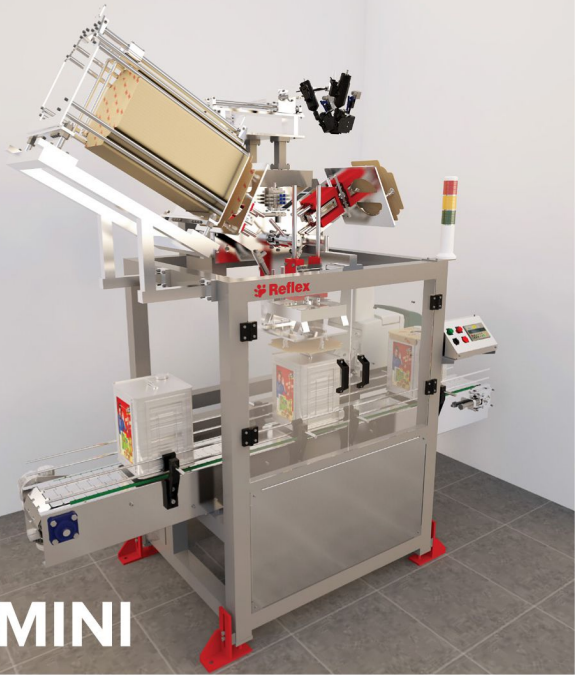


NEAT GLUE

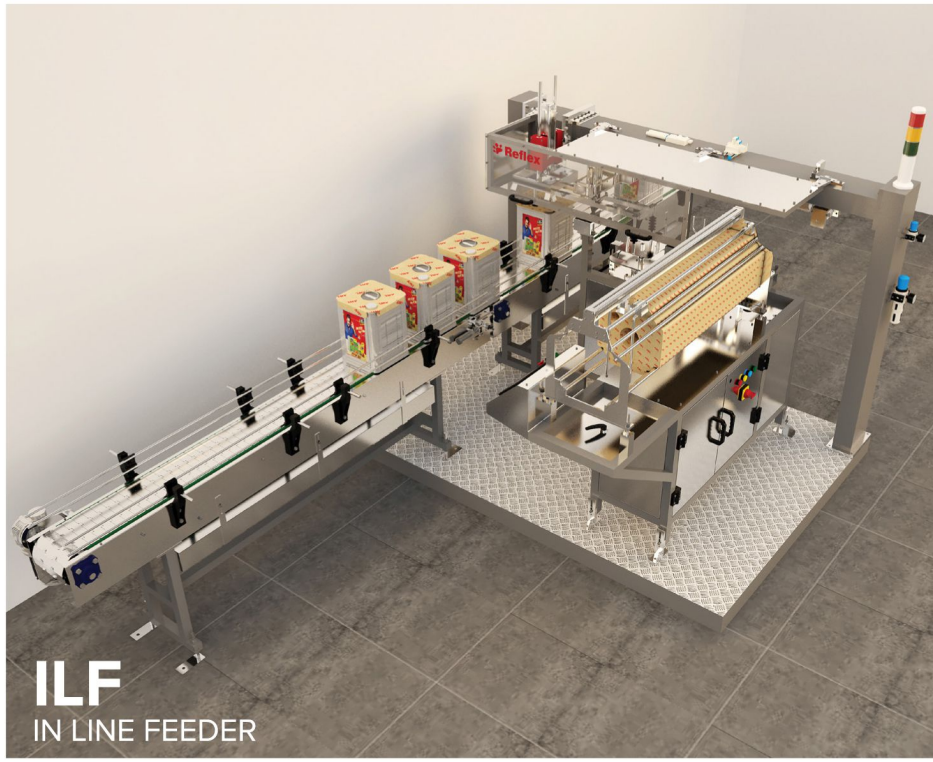


PACKTOPACKOFF

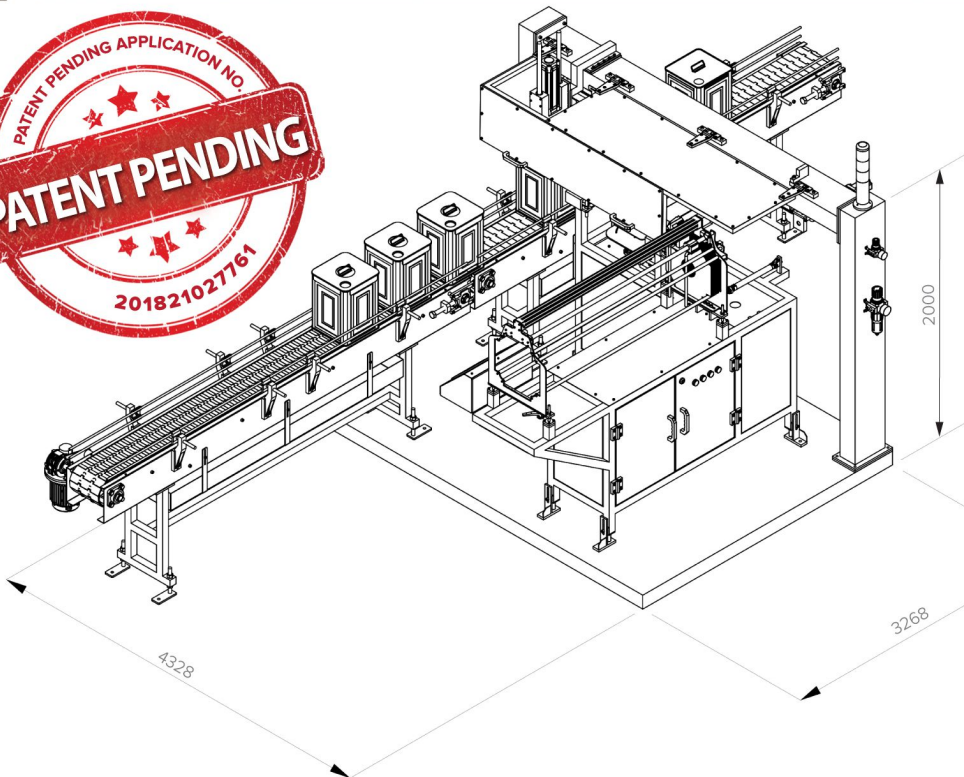
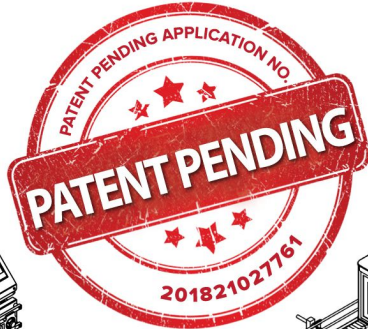
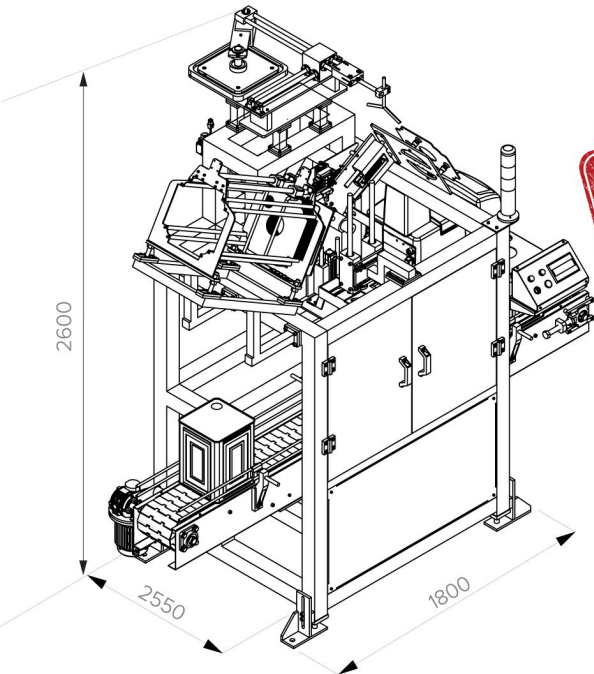
END-OF-LINE AUTOMATION



MINI



ILF
IN LINE FEEDER



MINI

AUTOMATIC

10 TPM*

1800 X 2550 X 2600

Approx 1 TON

MS / SS

Approx 5 KVA

Approx 11.28 CFM



ILF

AUTOMATIC

16 TPM*

3268 X 4328 X 2000

Approx 1.2 TON

MS / SS

Approx 5.4 KVA

Approx 14 CFM



SPEED UP TO (TINS PER MIN)

FLOOR SPACE REQUIRED (MM)

WEIGHT

MOC (MATERIAL OF CO)

POWER CONSUMPTION

AIR CONSUMPTION

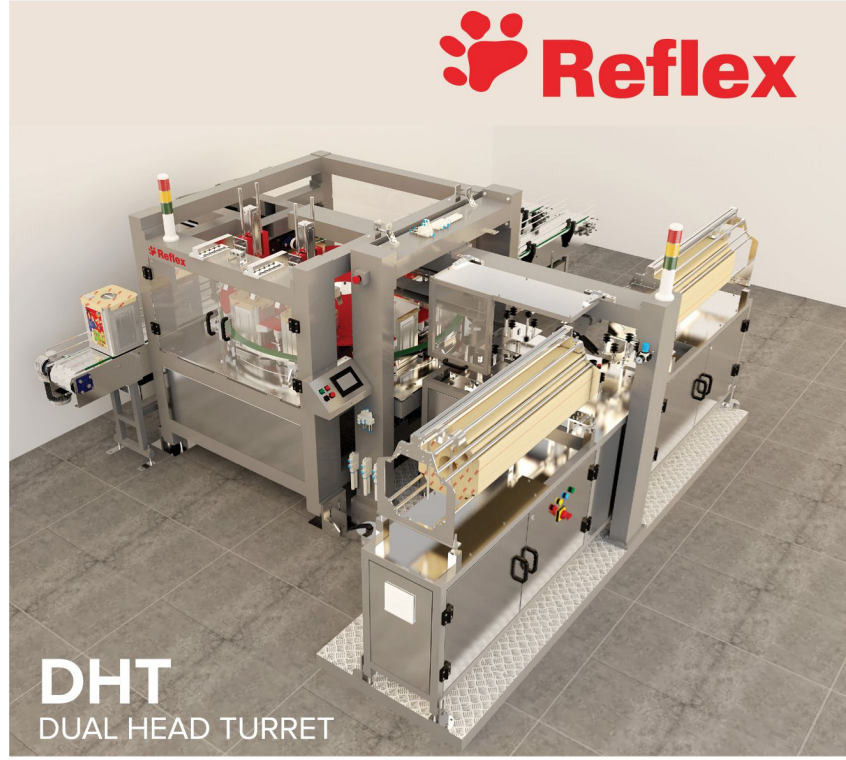
SCAN FOR TECHNICAL DATA SHEET

SCAN FOR VIDEO

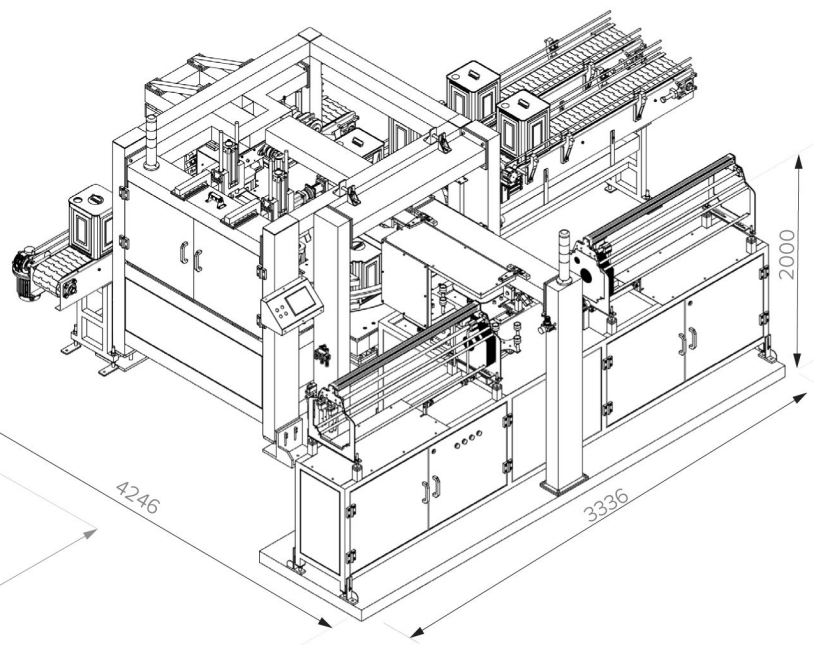
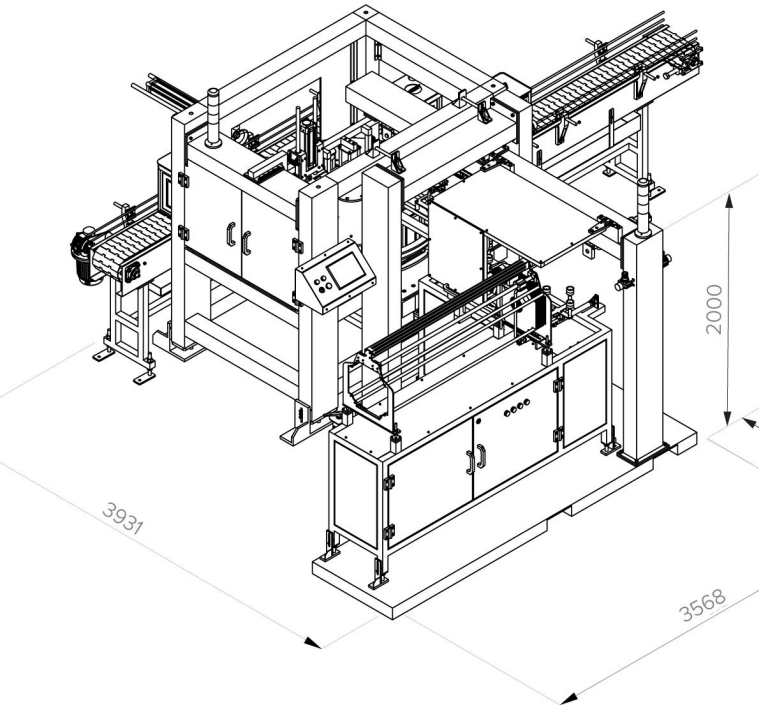
* FEATURES & DIMENSIONS SUBJECTS TO CHANGE



SHT
SINGLE HEAD TURRET



DHT
DUAL HEAD TURRET



SPEED UP TO (TINS PER MIN)

FLOOR SPACE REQUIRED (MM)

WEIGHT

MOC (MATERIAL OF CO)

POWER CONSUMPTION

AIR CONSUMPTION

SCAN FOR TECHNICAL DATA SHEET

SCAN FOR VIDEO

SHT

AUTOMATIC

20 TPM*

3568 X 3931 X 2000

Approx 1.5 TON

MS/SS

Approx 7.9 KVA

Approx 15 CFM



DHT

AUTOMATIC

40 TPM*

3336 X 4246 X 2000

Approx 2 TON

MS/SS

Approx 13.2 KVA

Approx 22 CFM



* MACHINE CAPACITY WITH IDEAL INPUTS

Serving them for 20 Years:

EDIBLE OIL :



OTHER INDUSTRY:



AUTOMOBILE :



GOVERNMENT :



Reflex Technologies Pvt Ltd

EL – 51, Electronic Zone, MIDC Mahape, Navi Mumbai - 400 710, INDIA. Ph: +91 22 27682584 / 41612500
Email: sales@reflexautomation.com | Web: www.reflexautomation.com

